

Standard Frequency Differential Oscillator

3H-Series (3225)



■ Features

- 3.2 x 2.5 x H1.05±0.15 mm
- HCSL output signaling types

■ Applications

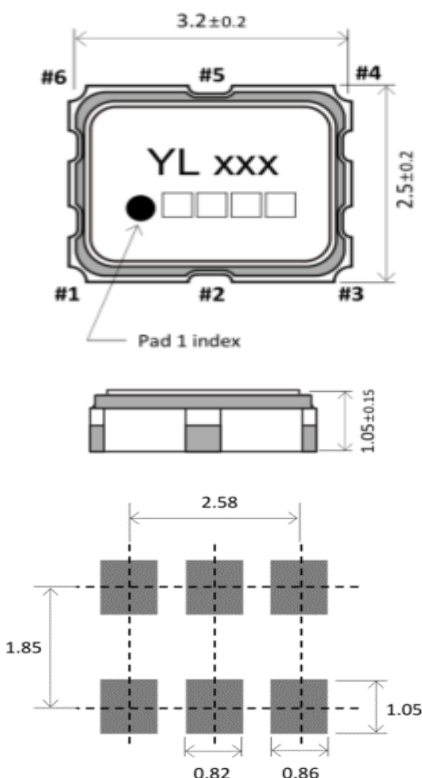
- 10GB Ethernet, SONET,SATA,SAS,Fibre Channel,PCI-Express
- pci-ExpressTelecom, networking,
- instrumentation, storage, server



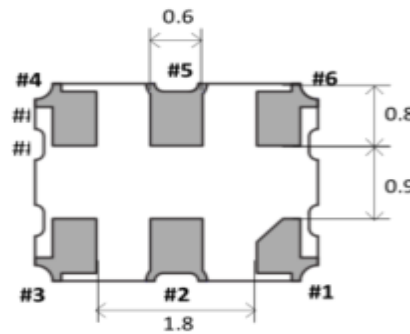
■ General Specifications

#	Items	Parameters
1	Frequency range	25 ~ 200 MHz
2	Output type	HCSL
3	Output Load	50 Ω
4	Supply voltage (V _{DD})	1.8 V , 2.5 V , 3.3 V
5	Operating temperature range	-20 to +70°C, -40 to +85°C , or specify
6	Storage temperature range	-55 to +125°C
7	Frequency stability vs. operating temperature range	± 100 ppm , or specify
8	Current consumption	80mA Max.
9	Output level V _{OH}	0.74 V Typ.
10	Output level V _{OL}	0 V Typ.
11	Duty cycle	45 to 55%
12	Rise/fall time	1ns Max.
13	Phase Jitter (12 KHz ~ 20 MHz)	1.0ps Max.
14	Start-up time	10ms Max.

■ Package Dimensions, Pad Functions, & Recommended Land Pattern (Unit: mm)



Unit : mm



Pad	Function	Symbol
#1	Output enable	OE
#2	Not connected	NC
#3	Ground	GND
#4	Output	OUT
#5	Complementary output	OUTN
#6	Supply voltage	V _{DD}

Visit website

